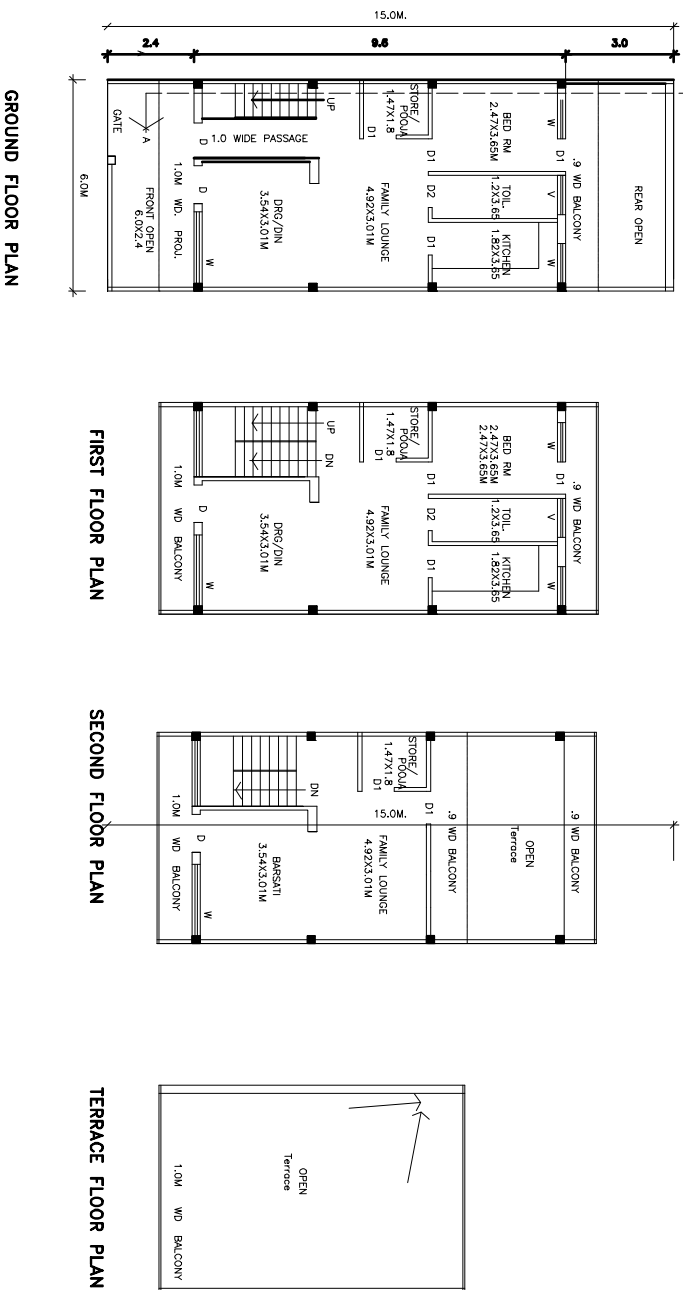
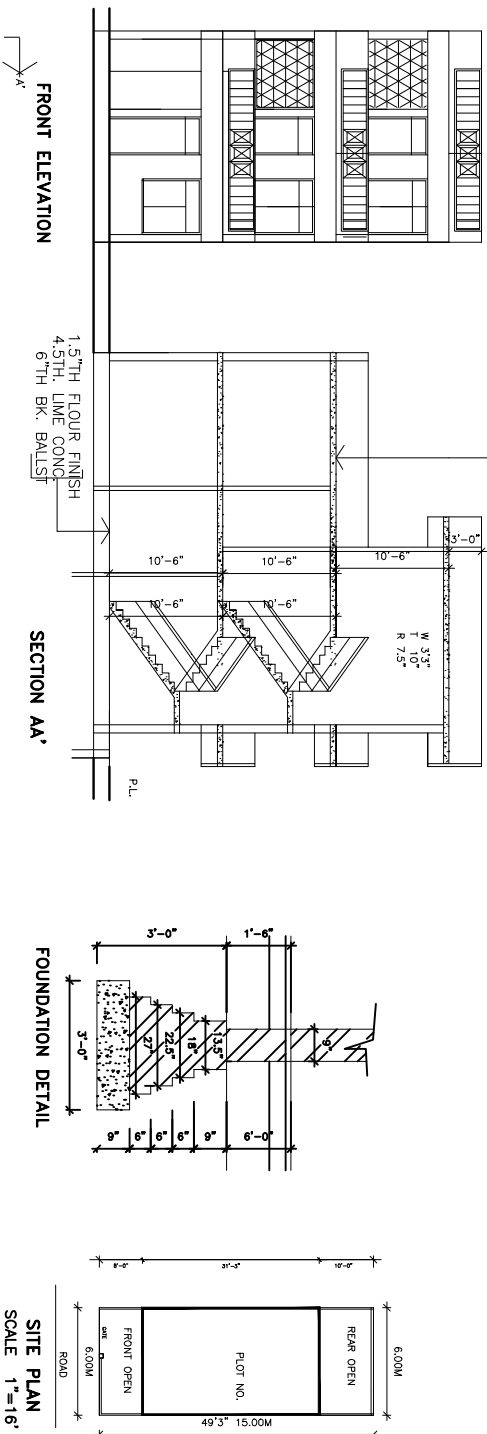


STANDARD DRAWING  
6.0Mx15.00M



AREA CHART

- (1) TOTAL AREA OF PLOT = 90.003 SQ.M.
- (2) OPEN AREA ON G.F. = 6.00x2.40 = 14.40 SQM
- 6.00x3.00 = 18.00 SQM
- TOTAL OPEN AREA ON G.F. = 32.40 SQ.M.
- (4) COVERED AREA ON G.F. = 57.60 SQ.M.
- (4) COVERED AREA ON F.F. = 57.60 SQ.M.
- (5) COVERED AREA ON S.F. = 40.45 SQ.M.
- TOTAL COVD. AREA = 155.65 SQ.M.

PERIM. GROUND COVD 67.50 SQ.M.  
 PROF. GROUND COVD 57.60 SQ.M.  
 PERIM. F.A.R 18.00 SQ.M.  
 PROF. F.A.R 155.65 SQ.M.

SIZE OF DOORS & WINDOWS

|    |         |              |
|----|---------|--------------|
| D  | DOOR    | 1.0M.X2.1M.  |
| D1 | DOOR    | 0.9M.X2.1M.  |
| D2 | DOOR    | 0.75M.X2.1M. |
| W  | WINDOWS | 1.2M.X1.8M.  |
| W1 | WINDOW  | .75M.X1.0M.  |